

# Modular Protective Devices

## Residual Current Circuit Breaker & Accessories

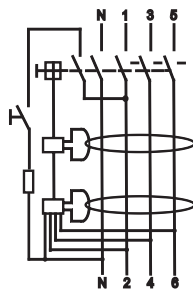
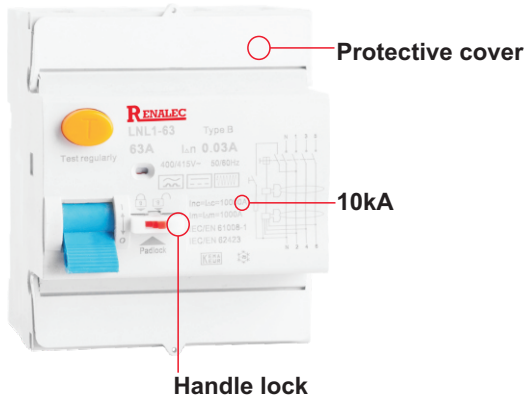
### B Type RCCB LNL1-63



#### Application

Along with our life style changing and high-tech development, we already started to know and enjoy the service produced by some electrical installations contain products which incorporate power electronics, such as inverters for PV installations, speed control in HVAC, some running machines, UPS, medical equipment and charge pole for electric vehicle etc. This type of equipment can produce, in addition to standard 50Hz earth leakage currents, smooth DC and high frequency AC residual current which would not be detected by a standard AC or A type RCCB. That's why B type RCCB was born and started to be used for above equipments protection of residual currents.

B type RCCB was design according to standard IEC/EN61008-1+IEC/EN62423. In addition to normal AC, B type RCCB also can detect high frequency AC and smooth DC earth residual currents. So it is named as "universal current-sensitive RCCB", which means it could be used for the widest variety of applications, these are always also designed for use under harsh ambient conditions.



With Electronic & Electro-Magnetic Dual Protective Systems

#### Specification

Poles	Rated Current	Type Designation	Article Number
			Type B
<b>4MU</b>			
2P	25A/30mA	LNL1-63D25030	L1DB01
2P	40A/30mA	LNL1-63D40030	L1DB02
2P	63A/30mA	LNL1-63D63030	L1DB03
4P	25A/30mA	LNL1-63F25030	L1FB01
4P	40A/30mA	LNL1-63F40030	L1FB02
4P	63A/30mA	LNL1-63F63030	L1FB03

•Both 2P & 4P devices are 4 modules width

## Technical Data

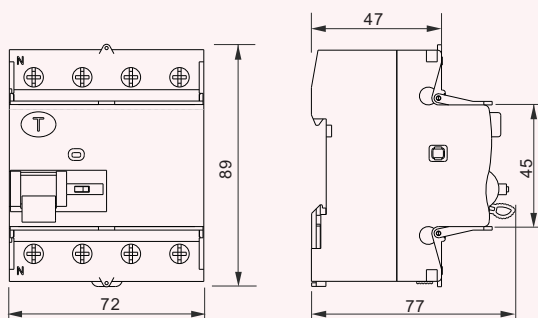
#### Electrical

Design according to	IEC/EN 61008-1+IEC/EN62423
Tripping	instantaneous
Rated voltage Un	240/415V, 50/60 Hz
Rated current	25,40,63A
Rated residual operating current $I_{\Delta n}(A)$	30mA
Waveform	B Type
Rated insulation voltage Ui	500 V
Rated impulse withstand voltage Uimp	4 kV
Rated short circuit strength Inc	10 kA
Rated breaking capacity Im	1000A
Electro-mechanical endurance	=4,000 operating cycles

#### Mechanical

Frame size	45mm
Device height	77mm
Device width	72mm(4MU)
Mounting	quick fastening on DIN rail IEC/EN 60715
Degree of protection	IP20
Upper and lower terminals	open mouthed /lift terminals
Terminal protection	finger and hand touch safe
Terminal capacity	rigid conductor up to 25mm <sup>2</sup>
Busbar specification	0.8-2mm
Terminal fastening torque	2.0Nm
Tripping temperature	-25°C+40°C
Resistance to climatic conditions	according to IEC/EN61008-1 +IEC62423

#### Dimensions(mm)



#### Distinguishing Features

- Could detect not only normal AC but also high frequency AC and smooth DC residual currents
- High breaking capacity up to 10kA
- With indication window for RCCB fault
- With handle lock control system to protect from error operation
- With protective cover for terminal screws for insulation and seal functions
- Auto-recloser is available to work with B-Type RCCB