

Metal Panel Board



Enclosure LNF5

Row	Type Designation	Article No.
-----	------------------	-------------

Type-1: Flush

1	LNF5-R11	F5R11
2	LNF5-R12	F5R12
3	LNF5-R13	F5R13
4	LNF5-R14	F5R14
5	LNF5-R15	F5R15
6	LNF5-R16	F5R16

Type-2: Surface

1	LNF5-R21	F5R21
2	LNF5-R22	F5R22
3	LNF5-R23	F5R23
4	LNF5-R24	F5R24
5	LNF5-R25	F5R25
6	LNF5-R26	F5R26

Enclosure LNF5

- Distribution Control of Buildings & Houses
- Protect electrical appliances from overload volt & current
- Short & frequency switch ON/OFF under normal operating condition is available

Technical Data

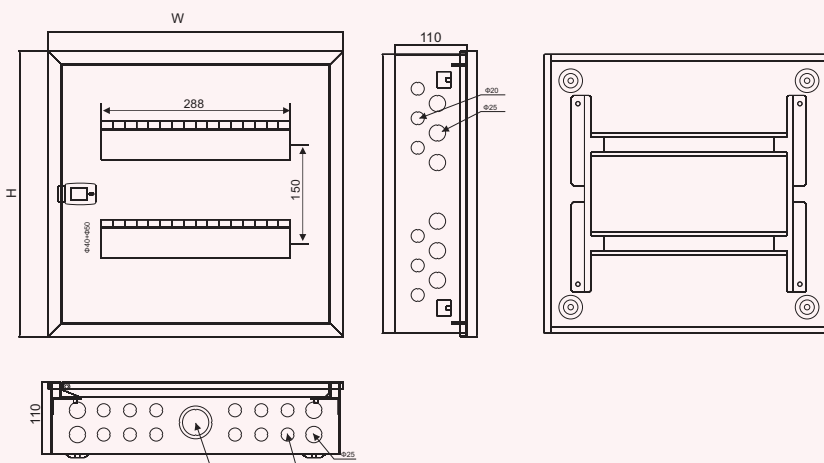
Electrical

- Suitable for circuit of AC 50/60Hz, rated volt up to AC 660V;
- Rated current up to 125A
- Packing: Standard exporting packing with stronger carton or as per customers requirements

Mechanical

- Material: Iron plate
- Thickness: 1.0mm for 1-6 rows
- All metal parts: Nickel plated procession
- Offer without MCB & main switch/connecting wires
- Painting color: Pantone standard-RAL 7032 or RAL 7035 for regular supply, other required color need to confirm with us before order
- Finishing: Smooth

Dimensions (mm)



LNF5

Model	Size	Surface install
	H x W x 110/mm	
LNF5 - 1ROW	285	450 x 110
LNF5 - 2ROW	435	450 x 110
LNF5 - 3ROW	585	450 x 110
LNF5 - 4ROW	735	450 x 110
LNF5 - 5ROW	885	450 x 110
LNF5 - 6ROW	1035	450 x 110

Model	Size	Surface install
	H x W x 110/mm	
LNF5 - 1ROW	295	460 x 110
LNF5 - 2ROW	445	460 x 110
LNF5 - 3ROW	595	460 x 110
LNF5 - 4ROW	745	460 x 110
LNF5 - 5ROW	895	460 x 110
LNF5 - 6ROW	1045	460 x 110