

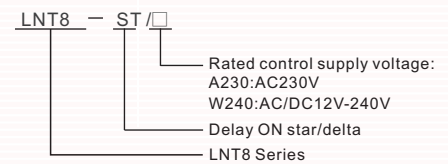
## Delay ON Star/Delta LNT8-ST



Output	Function	Type	Article Number	QNT/CTN(pcs)	G/N.W/CTN(kg)	MEAS(cm)
<b>A230:AC230V(50-60HZ)</b>						
2XSPDT	Delay ON	LNT8-ST/A230	LNT8STA230	200	17/16	53. 5x26x33
	Star/Delta					
<b>A380:AC380V(50-60HZ)</b>						
2XSPDT	Delay ON	LNT8-ST/A380	LNT8STA380	200	17/16	53. 5x26x33
	Star/Delta					
<b>A400:AC400V(50-60HZ)</b>						
2XSPDT	Delay ON	LNT8-ST/A400	LNT8STA400	200	17/16	53. 5x26x33
	Star/Delta					
<b>W240:AC/DC 12V-240V(50-60HZ)</b>						
2XSPDT	Delay ON	LNT8-ST/W240	LNT8STW240	200	17/16	53. 5x26x33
	Star/Delta					

- Applications  
Designated for delay ON of motors star/delta.
- Function Features
  - Time t1 (star) :  
time scale 0.1 s - 10min divided into 4 time ranges  
rough time setting by rotary switch.
  - Time t2 (delay) :  
time scale 0.1 s - 1 s  
time setting by potentiometer
  - Relay status is indicated by LED.
  - 1-MODULE, DIN rail mounting.

•Model and connotation

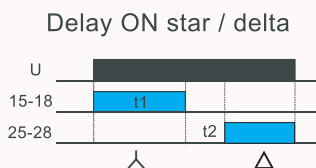


## Technical Data

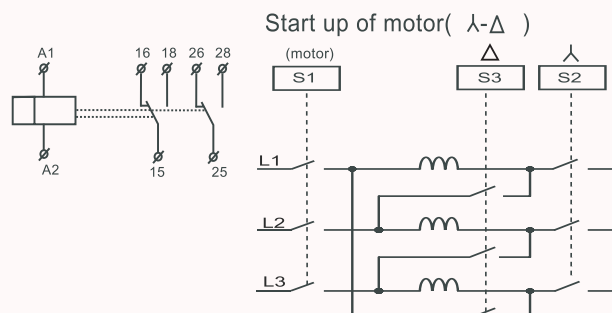
### Technical Parameters

Function	LNT8-ST Delay ON star/delta	Min.breaking capacity DC	500mW
Supply terminals	A1-A2	Output indication	red LED
Voltage range	AC/DC 12-240V(50-60Hz)	Mechanical life	1×10 <sup>7</sup>
Burden	AC 0.7-3VA/DC 0.5-1.7W	Electrical life(AC1)	1×10 <sup>6</sup>
Voltage range	AC 230V AC 380V AC 400V AC/DC12V-240V(50-60Hz)	Reset time	max.200ms
Power input	AC max.12VA/1.3W AC max.12VA/1.9W	Operating temperature	-20℃ to +55℃ (-4℉ to 131℉)
Supply voltage tolerance	-15%;+10%	Storage temperature	-35℃ to +75℃ (-22℉ to 158℉)
Supply indication	green LED	Mounting/DIN rail	Din rail EN/IEC 60715
Time ranges	Range of time delay t1: 0.1 s - 10 min, Switch time t2: 0.1 s-1 s	Protection degree	IP40 for front panel/IP20 terminals
Time setting	potentionmeter	Operating position	any
Time deviation	5%-mechanical setting	Overvoltage cathogory	III.
Repeat accuracy	0.2%-set value stability	Pollution degree	2
Temperature coecient	0.05%/℃, at=20℃(0.05%℉, at=68℉)	Max.cable size(mm <sup>2</sup> )	solid wire max.1×2. 5or 2×1. 5/ with sleeve max.1×2. 5(AWG 12)
Output	2×SPDT	Dimensions	90×18×64mm
Current rating	16A/AC1	Weight	W240-82g,A230-80g
Switching voltage	250VAC/24VDC	Standards	EN 61812-1,EN61010-1

### Functions Diagram



### Wiring Diagram



### Dimensions(mm)

