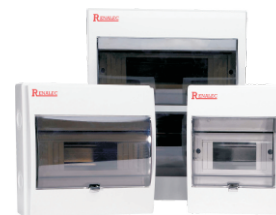


# Distribution Box And Panel Board

## Plastic Distribution Box



### Distribution Box LNDS1

Ways	Type Designation	Article Number
4ways	LNDS1-4T	Ds101
4ways	LNDS1-4N	DS102
6ways	LNDS1-6T	DS103
6ways	LNDS1-6N	DS104
8ways	LNDS1-8T	DS105
8ways	LNDS1-8N	DS106
12ways	LNDS1-12T	DS107
12ways	LNDS1-12N	DS108
18ways	LNDS1-18T	DS109
18ways	LNDS1-18N	DS110
24ways	LNDS1-24T	DS111
24ways	LNDS1-24N	DS112
36ways	LNDS1-36T	DS113
36ways	LNDS1-36N	DS114

### Distribution Box LNDF1

Ways	Type Designation	Article Number
4ways	LNDF1-4T	Df101
4ways	LNDF1-4N	DF102
6ways	LNDF1-6T	DF103
6ways	LNDF1-6N	DF104
8ways	LNDF1-8T	DF105
8ways	LNDF1-8N	DF106
12ways	LNDF1-12T	DF107
12ways	LNDF1-12N	DF108
18ways	LNDF1-18T	DF109
18ways	LNDF1-18N	DF110
24ways	LNDF1-24T	DF111
24ways	LNDF1-24N	DF112
36ways	LNDF1-36T	DF113
36ways	LNDF1-36N	DF114

### Distribution Box LNDS2

Ways	Type Designation	Article Number
4ways	LNDS2-4T	Ds201
4ways	LNDS2-4N	DS202
6ways	LNDS2-6T	DS203
6ways	LNDS2-6N	DS204
8ways	LNDS2-8T	DS205
8ways	LNDS2-8N	DS206
12ways	LNDS2-12T	DS207
12ways	LNDS2-12N	DS208
18ways	LNDS2-18T	DS209
18ways	LNDS2-18N	DS210
24ways	LNDS2-24T	DS211
24ways	LNDS2-24N	DS212

## Distribution Box LNDS1/LNDF1/LNDS2

- Cable entry design: free space available for hole-digging on both cover and base of 2,3 way product
- Sufficient working space for mounting and wiring switchgears
- Sufficient working space behind the DIN rail
- Cover suitable for transparent and non-transparent
- Cover also suitable for inverse fixation
- mounting of terminal support above or below
- Knock-out hole is available to full sides of the base

### Electrical

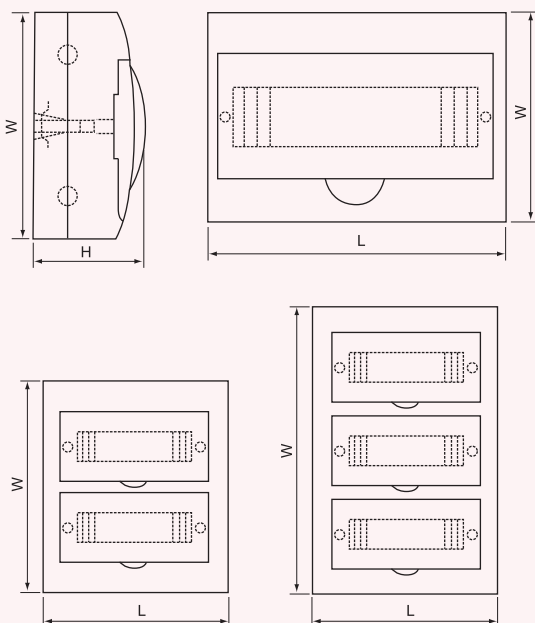
Design according to	IEC60439
Degree of protection	IP41 according to EN60529 IP56 according to EN60529
Protection class	II
Rated voltage	400V AC/50 HZ

### Mechanical

Material:	ABS with fire resistant /PS material
ENCLOSURE	white
Color	
Door	PC/ABS with fire resistant
Color	transparent / white
Device support rail	DIN rail 35×7.5mm
Steel sheet	acc.to IEC/EN 60715

### Dimensions(mm)

Surface-mounted Moisture-proof DB LNDS1



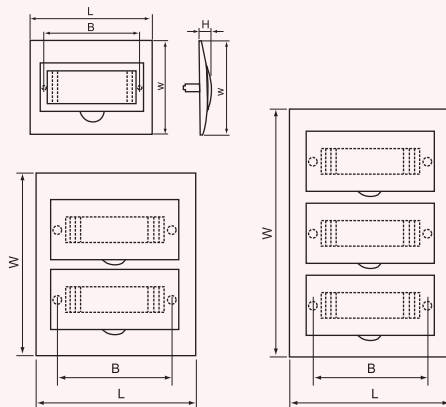
Dimensions of DB

Ways	Dimensions(mm)		
	L	W	H
4 ways	112	210	100
6 ways	148	210	100
8 ways	184	210	100
12 ways	256	210	100
18 ways	364	222	100
24 ways	270	325	100
36 ways	305	473	100

Same dimensions for box with transparent and non-transparent door

## Dimensions(mm)

Secret-mounted Moisture-proof DB LNDF1



Dimensions of DB cover

Ways	Dimensions(mm)			
	L	W	B	H
4 ways	136	222	86	27
6 ways	172	222	122	27
8 ways	208	222	158	27
12 ways	280	222	230	27
18 ways	398	252	338	27
24 ways	300	345	232	27
36 ways	341	503	265	27

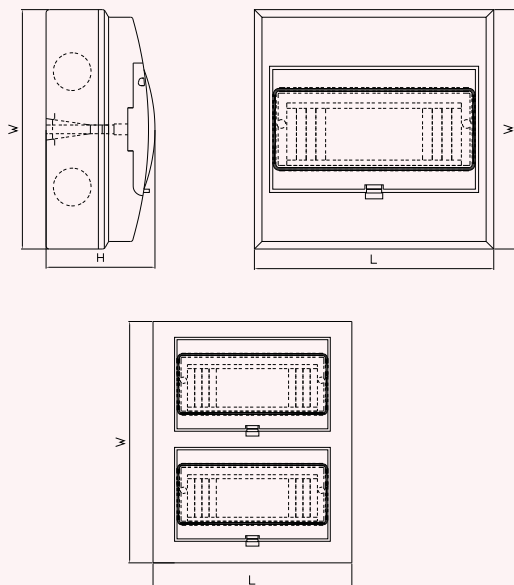
Dimensions of DB base

Ways	Dimensions(mm)		
	L	W	H
4 ways	112	200	66
6 ways	150	200	66
8 ways	184	200	66
12 ways	256	200	66
18 ways	365	220	76
24 ways	257	310	76
36 ways	293	455	76

Same dimensions for box with transparent and non-transparent door

## Dimensions(mm)

Surface-mounted Moisture-proof DB LNDS2



Dimensions of DB

Ways	Dimensions(mm)		
	L	W	H
4 ways	126	215	100
6 ways	163	215	100
8 ways	217	215	100
12 ways	272	215	100
18 ways	380	235	100
24 ways	285	340	100

Same dimensions for box with transparent and non-transparent door