

Modular Protective Devices

Combined MCB & RCCB Devices

RCBO LNC1-40

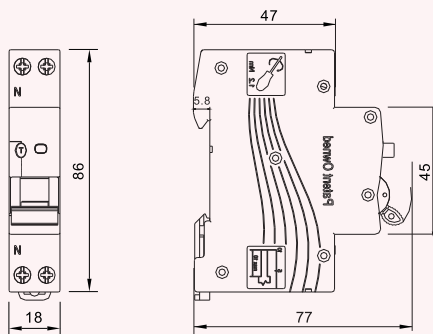


| Rated Current In(A)/MA | Type Designation | Article NO. | |
|-------------------------------|------------------|-------------|-----------|
| | | Type AC6kA | Type A6kA |
| RCBO 1MU 6KA B/C Curve | | | |
| 06/0.01 | LNC106001 | C1AC01 | C1A01 |
| 06/0.03 | LNC106030 | C1AC02 | C1A02 |
| 10/0.01 | LNC110001 | C1AC03 | C1A03 |
| 10/0.03 | LNC110030 | C1AC04 | C1A04 |
| 16/0.01 | LNC116001 | C1AC05 | C1A05 |
| 16/0.03 | LNC116030 | C1AC06 | C1A06 |
| 20/0.01 | LNC120001 | C1AC07 | C1A07 |
| 20/0.03 | LNC120030 | C1AC08 | C1A08 |
| 25/0.01 | LNC125001 | C1AC09 | C1A09 |
| 25/0.03 | LNC125030 | C1AC10 | C1A10 |
| 32/0.01 | LNC132001 | C1AC11 | C1A11 |
| 32/0.03 | LNC132030 | C1AC12 | C1A12 |
| 40/0.01 | LNC140001 | C1AC13 | C1A13 |
| 40/0.03 | LNC140030 | C1AC14 | C1A14 |

Technical Data

| Combined RCCB & MCB Device(RCBO) LNC1-40 | Mechanical |
|---|---|
| Design according to IEC/EN 61009-1 | Frame size 45 mm |
| Current test marks as printed onto the device | Device height 77 mm |
| Rated voltage Ue 240 V; 50 /60Hz | Device width 18mm(1MU) |
| Rated tripping current I Δ n 10/30 mA | Mounting quick fastening on |
| Rated non-tripping current I Δ no 0.5 I Δ n | DIN rail IEC/EN 60715 |
| Sensitivity AC and A Type | open mouthed/lift terminals |
| Selectivity class 3 | finger and hand touch safe, |
| Rated breaking capacity 6 kA | Terminal protection |
| Rated current 6-40 A | Terminal capacity 1-10 mm ² |
| Rated peak withstand voltage Uimp 6 kV | Terminal fastening torque 1.2N.m |
| Characteristic B/C | Degree of protection switch IP20 |
| Endurance electro-mechanical comp =4,000 operating cycles | Tripping temperature -5°C to + 40°C |
| | Resistance to climatic conditions acc.to IEC/EN 61009-1 |

Dimensions(mm)



Tripping Characteristics

