

Modular Protective Devices

Fuse Link & Holder

Fuse Base LNTB



Rated Current In(A)	Type Designation	Article Number
1P,2-160	LNT00CB1	LNTB01
1P,6-160	LNT00B1	LNTB02
1P,25-250	LNT1B1	LNTB03
1P,125-400	LNT2B1	LNTB04
1P,315-630	LNT3B1	LNTB05
1P,630-1000	LNT4B1	LNTB06
3P,2-160	LNT00CB3	LNTB07
3P,25-250	LNT1B3	LNTB08
3P,125-400	LNT2B3	LNTB09
3P,315-630	LNT3B3	LNTB10

Technical Data

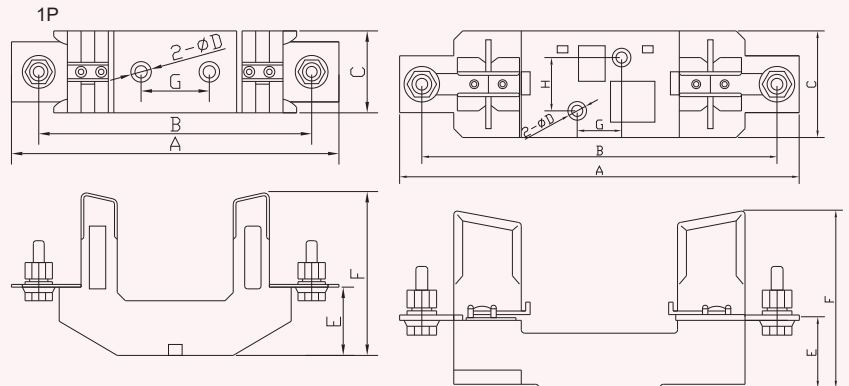
Fuse Base LNTB

• It's equipped with NT series fuses link for protecting from overload and short-circuit in electric circuit.

Electrical

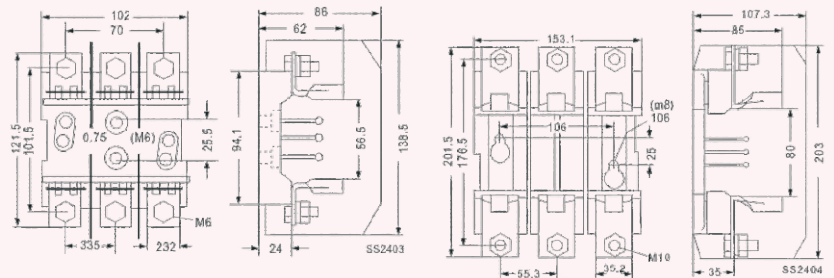
Design according to : IEC 60269
 Rated voltage : 500/600V
 Rated current : up to 1000A
 Rated frequency : AC 50Hz

Dimensions(mm)



Type	Dimensions								
	A	B	C	φD	E	F	F	G	H
LNT00CB	120	100	30	7.5	25	60	25	-	-
LNT00B	170	150	30	7.5	38	73	25	-	-
LNT1B	200	175	58	10.5	38	86	25	30	-
LNT2B	225	200	60	10.5	40	100	25	30	-
LNT3B	250	216	60	10.5	40	105	25	30	-
LNT4B	310	265	95	13	48	150	30	45	-

3P



LNT00B

LNT1B