

## Moulded Case Circuit Breaker & Accessories

### MCCB ALL ACCESSORIES

#### Electromagnetic Operation Device

1) Wiring diagram of type CDM electromagnetic operation device (fitting AM3-125,160,250) see the following drawing (wiring diagram of the external accessories of the breaker in the dotted frame)  
Code description: SB1、 SB2 stand for push button.(provided by users themselves)

Number "1"、 "2"、 "3"- stand for number of wiring terminals.

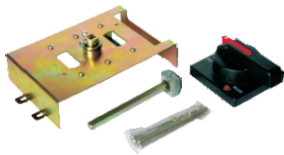
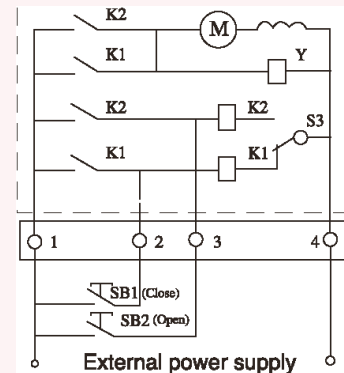
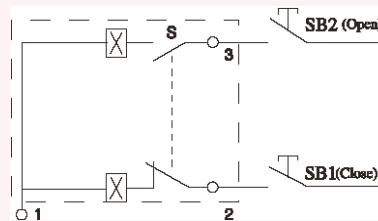
Voltage rating:AC50Hz 230V. 400VDC 220V

2) Wiring diagram of type CD motor-driven operation device (fitting AM3-400.630.800)see belows (wiring diagram of the external accessories of the breaker in the dotted frame)

Code description: SB1、 SB2 stand for push button. (provided by users themselves)

"X" stands for line connection terminals

Voltage rating:AC50Hz 230V 400V; DC220V



#### Rotary Handle

Economic extended rotary handle

Degree of protection:IP30

Function:1) With indication of isolation

2) Indication of three positions O(off) I(on) and tripped

3) Door opening prevented when circuit breaker is on

#### Shunt Release

Us:AC50/60Hz 230V 400V; DC110V 220V

The shunt release should make the breaker trip reliably when the operation voltage is 70%-110% of the rated control voltage

4.2The internal accessories of the breaker



#### Under-Voltage Release

Us:AC50/60Hz 400V230V

When the operation voltage is 35%-70% of the rated voltage, the under-voltage release should make the breaker trip correctly

When the operation voltage is 85%-110% of the rated voltage, the under-voltage release should make the breaker close.

In case of the operation voltage less than 35% of the rated voltage, the under-voltage should prevent the breaker from closing.

Note: Only the under-voltage release should be energized in advanced, the breaker could be recramped, and turned-on, otherwise the breaker will be damaged.

