

# Modular Protective Devices

## Miniature Circuit Breaker & Accessories



## Miniature Circuit Breaker LNMN2-40

Rated Current In(A)	Type Designation	Article Number	
		6kA	4,5kA
<b>1+N-pole, 1MU, Characteristic B/C</b>			
6	LNMN2-40S6	LNMN20605	LNMN24505
10	LNMN2-40S10	LNMN20606	LNMN24506
13	LNMN2-40S13	LNMN20607	LNMN24507
16	LNMN2-40S16	LNMN20608	LNMN24508
20	LNMN2-40S20	LNMN20609	LNMN24509
25	LNMN2-40S25	LNMN20610	LNMN24510
32	LNMN2-40S32	LNMN20611	LNMN24511
40	LNMN2-40S40	LNMN20612	LNMN24512

## Technical Data

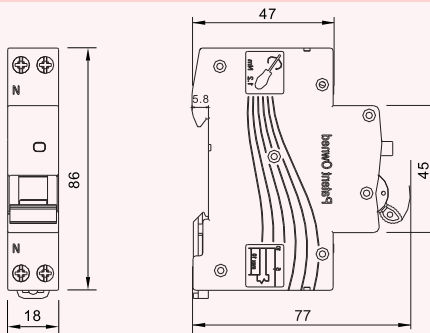
### Electrical

Design according to	LNMN2-40	IEC/EN 60898-1
Current test marks as printed onto the device		
Rated current		6-40A
Rated voltage	LNMN2-40	AC:230/240V
Rated frequency		50/60 Hz
Rated breaking capacity according to IEC/EN 60898-1	LNMN2-40	6kA/4.5kA
Pole No.		1P+N
Characteristic		B,C
Selectivity class		3
Endurance		
Mechanical life		= 10000 operating cycles
Electrical life		= 4000 operating cycles
Line voltage connection		optional (above/below)

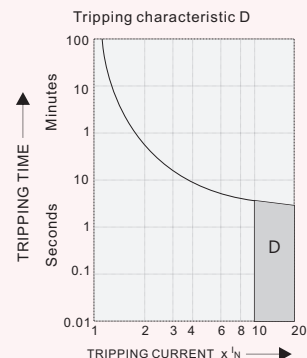
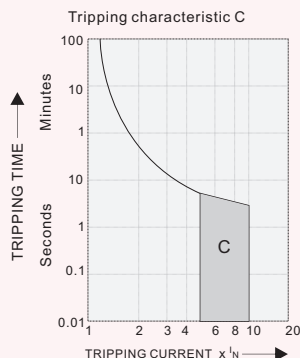
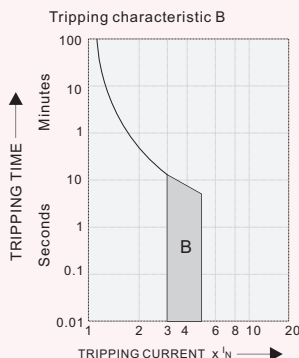
### Mechanical

Frame size	45mm
Device height	77mm
Device width	18mm per pole (1MU)
Mounting	Quick fastening on DIN rail IEC/EN 60715 On symmetrical DIN rail 35mm Panel mounting
Degree of protection	IP20
Upper and lower terminals	open mouthed/lift screw terminals
Terminal protection	finger and hand touch safe,
Terminal capacity	1-10mm <sup>2</sup>
Terminal fastening torque	1.2 Nm
Busbar thickness	0.8-2 mm

### Dimensions(mm)



### Tripping Characteristics



Quick-acting (B), slow (C), very slow (D)